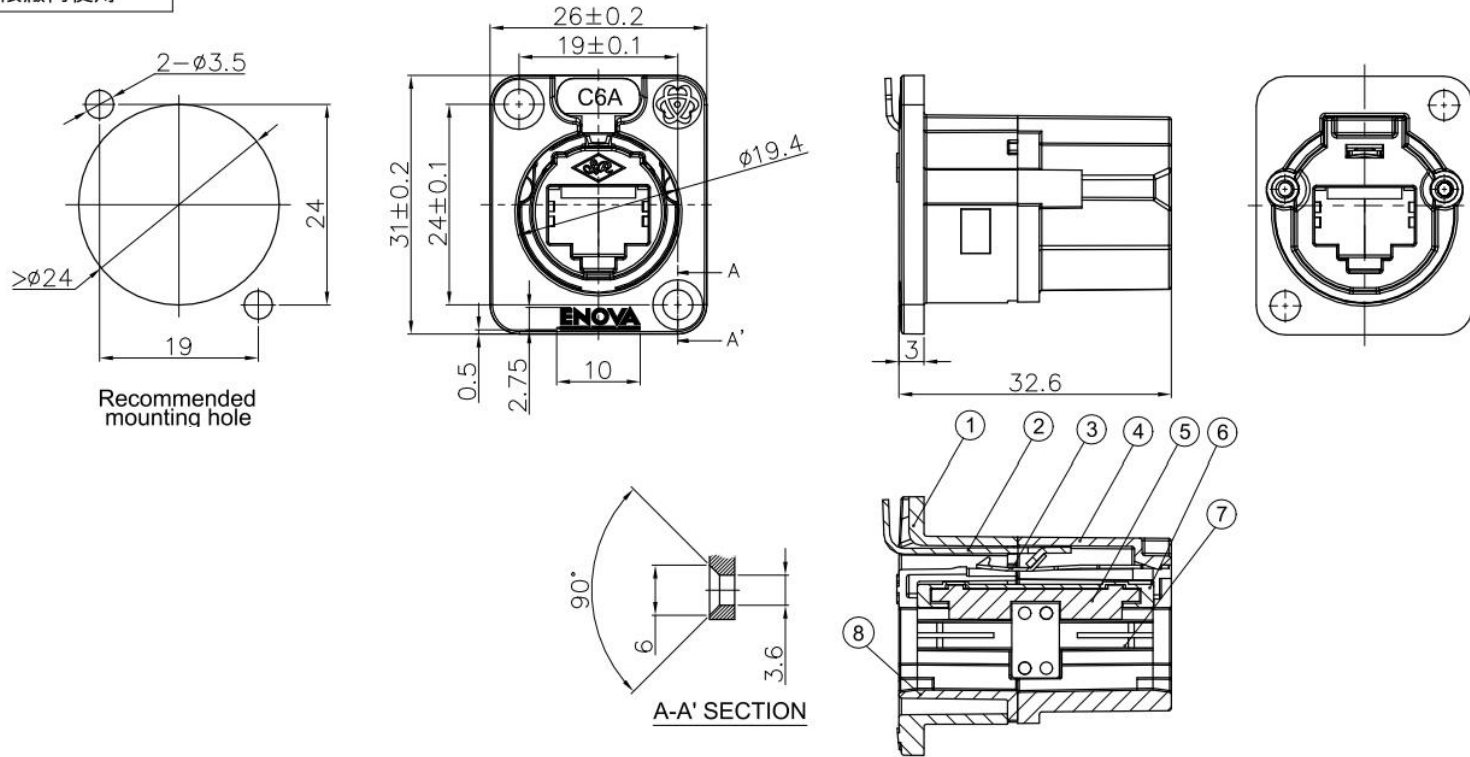


REVISIONS			
ISS	ZONE	DESCRIPTION\PER REQUEST\DATE	
V	OPEN	對客戶公開圖紙	
	OPEN	對供應商公開圖紙	
	CLOSED	僅限廠內使用	



8	前盖(FRONT COVER)	ZZnAl4-1	鍍鎳(NICKEL)	1
7	座子接地片(GROUND)	PHOSPHOR BRONZE	鍍錫(TIN)	2
6	电路板支架(PCB brace)	PA	黑色(BLACK)	2
5	电路板(PCD)			1
4	后盖(BACK COVER)	ZZnAl4-1	鍍鎳(NICKEL)	1
3	钢片(LATCH)	65Mn	發黑(BLACKENING)	1
2	推杆(PUSH BUTTON)	65Mn	鍍鎳(NICKEL)	1
1	锌壳(DIE-ZINC SHELL)	ZZnAl4-1	鍍鎳(NICKEL)	1
NO.	DESCRIPTION	MATERIAL	FINISH	Q'TY

NO.	DESCRIPTION	MATERIAL	FINISH	Q'TY	DRAWING NO.
DIMENSIONS ARE IN MILLIMETERS					
UNLESS OTHERWISE SPECIFIED TOLERANCES					
ANGLES = ±5°					
UP TO 6 = ±0.2					
6-40 = ±0.4					
40-120 = ±0.6					
120-315 = ±1					
ABOVE 315 = ±1.6					
THIRD_ANGLE					
SCALE	1/1				

APPROVED	DATE
CHECKED	DATE
DRAWN 马标	DATE 2023-03-02
FILE NO.	
BOM	ERP LINK: --

		TITLE	
		D-shape Cat6A panel adaptor	
PART NO.		REV.	A1
RJ18FB-C6F			