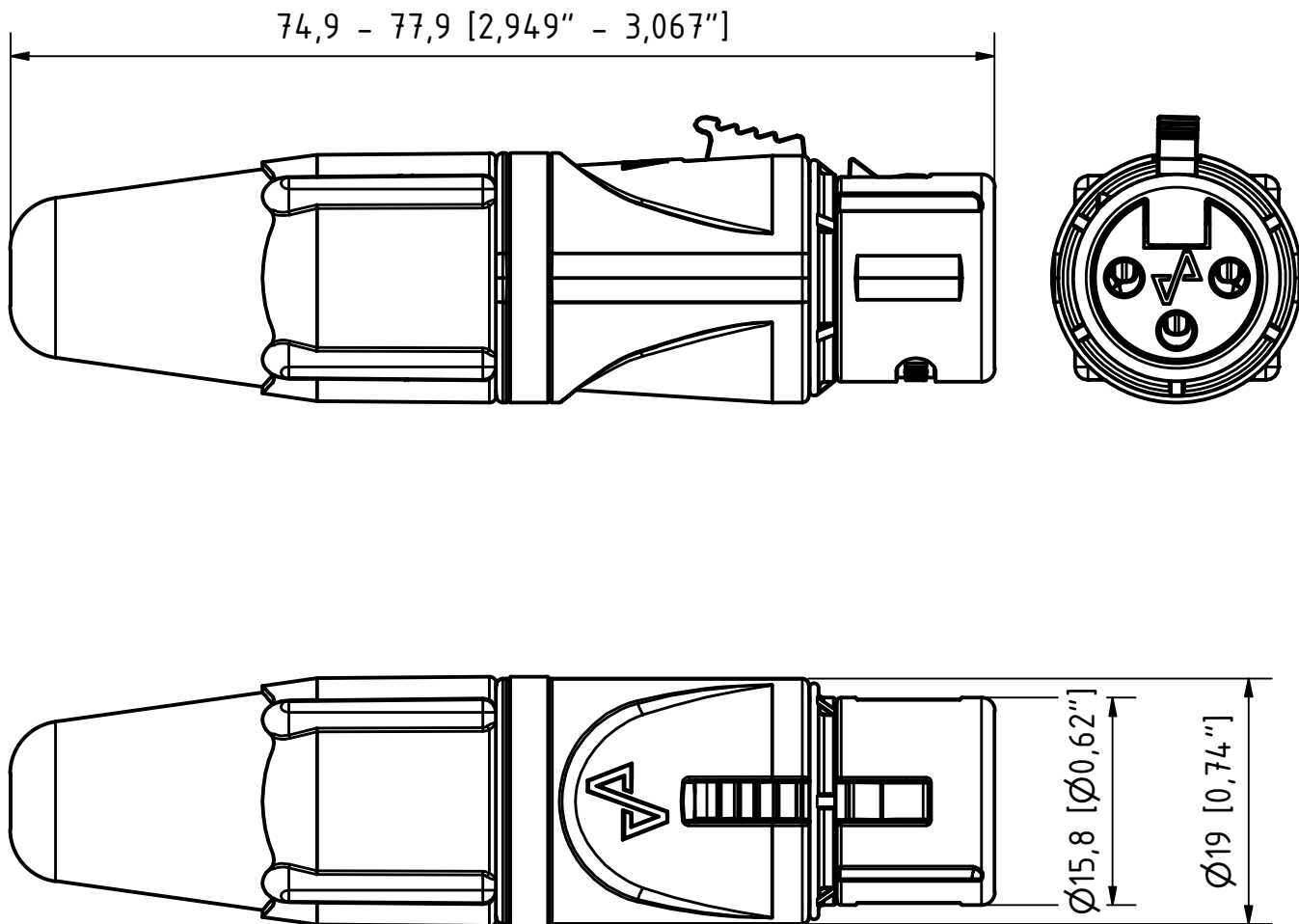




Missing dimensions can be seen in the 3D CAD model.
Call with questions and not guesswork!



Standard-, materialnumber:		Weight:		-		Drawing No.: NXT3FA	
Order ref. Finished size:		Order number:					
Spare-, wear part:		Supplier:					
Degree of hardness:		Hardness depth:				INDEX:	
Coating:		Coating thickness:					
Comment:							
2D/3D	Date:	Name:	Scale 1,8 : 1	General tolerances ISO 2768-mk			Designation:
drawn:	20.08.2024	Martin Ellensohn		Surface specification ISO 1302			
checked:			Entry of dimensions in millimeters DIN 406-10-11-12				
Approved:			Sheet: 1	Projection method 1 ISO 1302			
		Autodesk Inventor		Tolerance principle ISO 8015			
		Sheet format: A4		Workpiece edges ISO 13715			

These documents are the property of Ellensohn Engineering. Any duplication, utilization and passing on to third parties without written consent is prohibited. Violations oblige to compensation.