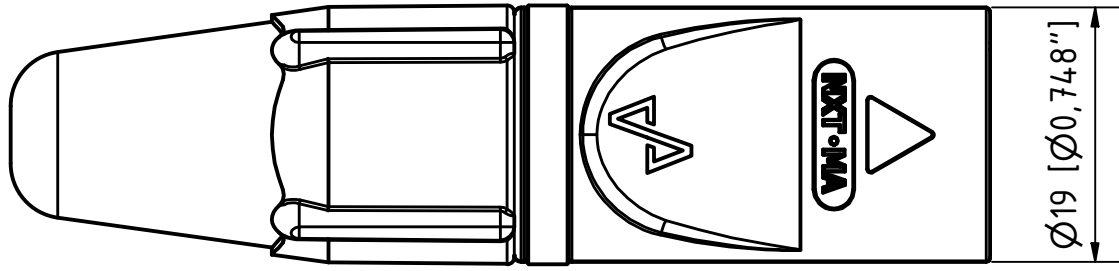
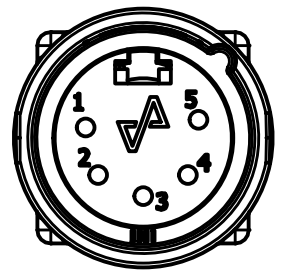
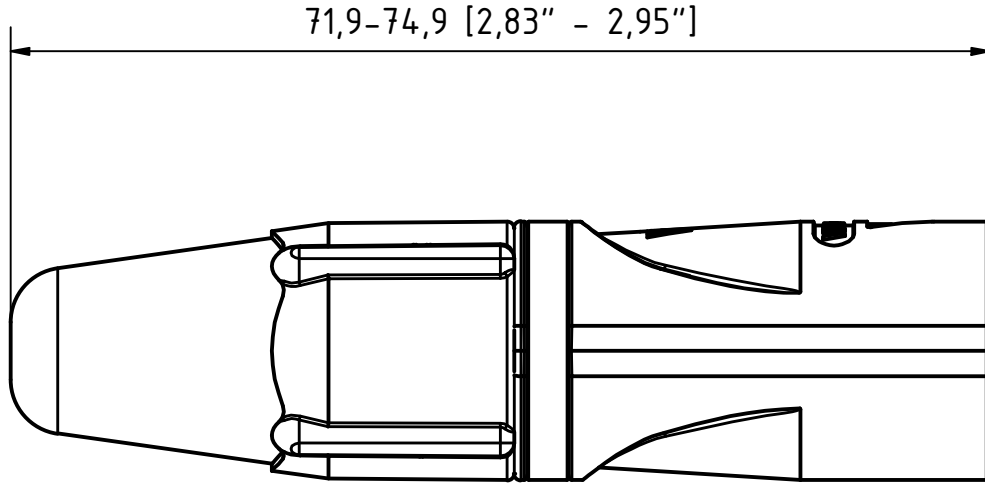


Missing dimensions can be seen in the 3D CAD model.  
Call with questions and not guesswork!



These documents are the property of Ellensohn Engineering. Any duplication, utilization and passing on to third parties without written consent is prohibited. Violations oblige to compensation.

|                            |            |                    |   |                                |  |                        |  |
|----------------------------|------------|--------------------|---|--------------------------------|--|------------------------|--|
| Standard-, materialnumber: |            | Weight:            |   | -                              |  | Drawing No.:<br>NXT4MA |  |
| Order ref. Finished size:  |            | Order number:      |   |                                |  |                        |  |
| Spare-, wear part:         |            | Supplier:          |   |                                |  |                        |  |
| Degree of hardness:        |            | Hardness depth:    |   |                                |  | INDEX:                 |  |
| Coating:                   |            | Coating thickness: |   |                                |  |                        |  |
| Comment:                   |            |                    |   |                                |  | Designation:           |  |
| 2D/3D                      | Date:      | Name:              | Scale<br>1,8 : 1                                    | General tolerances ISO 2768-mk |  |                        |  |
| drawn:                     | 20.08.2024 | Martin Ellensohn   |   | Surface specification ISO 1302 |  |                        |  |
| checked:                   |            |                    | Entry of dimensions in millimeters DIN 406-10-11-12 |                                |  |                        |  |
| Approved:                  |            |                    | Sheet: 1  | Projection method 1 ISO 1302   |  |                        |  |
|                            |            |                    | Autodesk Inventor                                   | Tolerance principle ISO 8015   |  |                        |  |
|                            |            |                    | Sheet format:                                       | Workpiece edges ISO 13715      |  |                        |  |
|                            |            |                    | A4  |                                |  |                        |  |